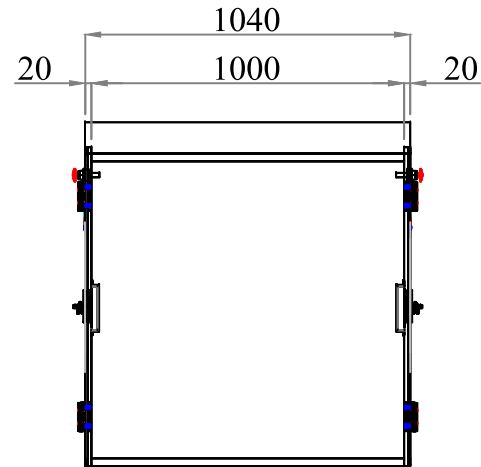
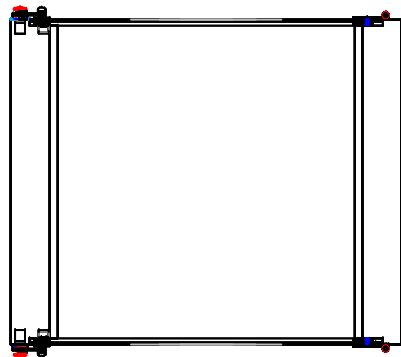


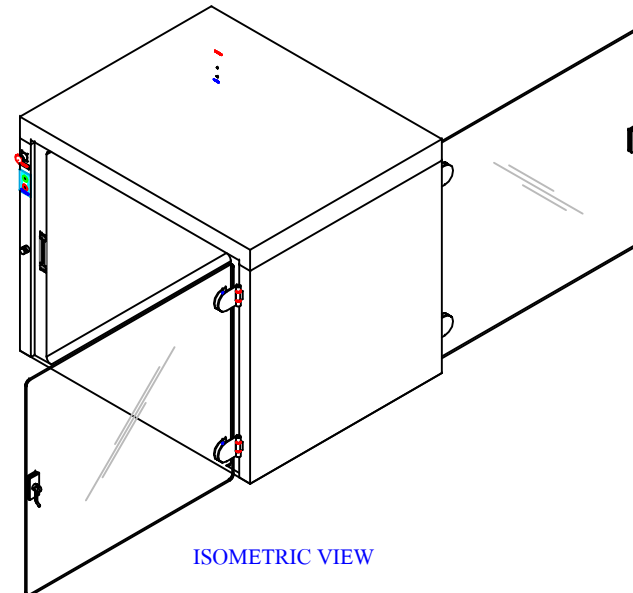
FRONT VIEW



SIDE VIEW



TOP VIEW



ISOMETRIC VIEW

01			Customer	XXXXXXXX	2013	Name	Date
No.	Revision Description		Project	XXXXXXXXXX	Drawn by	Patiphan	20/02
 <b>MICRON CLEAN</b> Micron Clean Limited 1246 Moo 13 Tambol Klong Nung, Amphur Klong Luang, Patumthani 12120, Thailand Tel : (66) 0-2908-8200 (Auto 10 Line) Fax : (66) 0-2908-8211			Description	CART-IN PHARMA TYPE MODEL : MC - CIEPT100010001000S Location : XXXXXXXXX	Checked By	Uthai S.	20/02
			Approved By		Graivith J.	20/02	
			Dwg. No.		DD13-XXX-XXX-XXX-CIEPT100010001000S-01-R00		